

# J Series



UL Recognized  
CSA Certified



Front View, All Models



6J4/6J4-2  
Terminal View



6HJ4-1/6HJ4-2  
Terminal View

## J Series

The most widely accepted of all the power entry modules, the J series combines an IEC connector, 2-voltage, or 4-voltage selection, and a North American fuseholder. It features a compact snap-in design and a unique voltage selector card.

**J4 Models** - This general purpose filter provides susceptibility protection from line-to-ground noise on the power line and acts as a high frequency "clean-up" filter for more complex emissions applications.

**HJ4 Models** - This medical filter provides susceptibility protection without the leakage current associated with line-to-ground capacitors. Designed to allow equipment to meet UL544 medical specifications for patient care and non-patient care equipment, the HJ filter has a maximum leakage current of 2µA at 120 VAC 60 Hz. See Appendix C for more information on medical applications and UL standards.

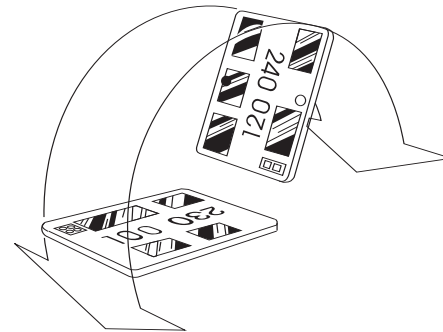
Equipment rating labels and mounting clips for thicker panel widths are available as accessories.

For more information on UL544 specifications, see Appendix C.

*Note: When using the models with an IEC connector, remember that the leakage current of the companion line cord, GA400, is more significant than that of the filter - which may disqualify this line cord from use in patient care applications.*

## Voltage Selection

### Unfiltered and Filtered Models



Open cover door and rotate fuse-pull lever to left. Select operating voltage by orienting voltage selection card, desired voltage on top left side. Push card firmly into module slot. Rotate fuse-pull lever back into normal position and re-insert fuse into holders. Use caution in selecting correct fuse value.

### Unfiltered Models

Part Number	Available Voltage Selection Positions
6VJ1	4
6VJ1-2	2

### Unfiltered Models

Part Number	Available Voltage Selection Positions	RFI Filter Type
6VJ4	4	General Purpose <sup>1</sup>
6J4-2	2	General Purpose <sup>1</sup>
6HJ4-4	4	Medical <sup>2</sup>
6HJ4-2	2	Medical <sup>2</sup>

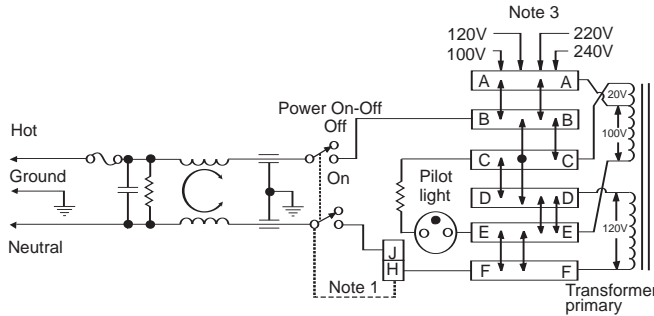
Note 1: General purpose filter for susceptibility applications

Note 2: Medical line filter for very low leakage UL544 health care requirements

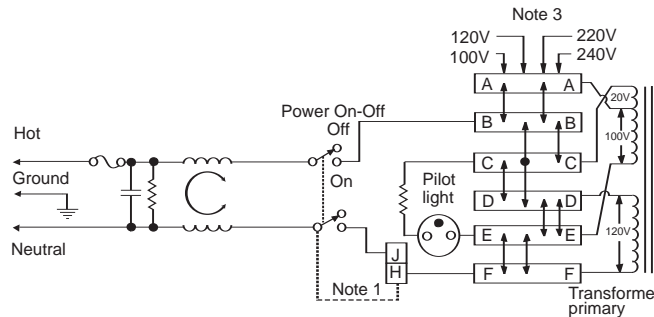
# J Series

## Electrical Schematics

### Filtered 6J4 & 6J4-2



### Filtered 6HJ4-4 & 6HJ4-2



- Note 1: Jumper required if only SPST power switch is used.
- Note 2: Jumpers required if no input filtering is used.
- Note 3: Use only 120V and 240V positions for 2-volt selection units.

## Specifications

	6J4 Models	6EHJ4 Models	6VJ Models
@250 VAC 50 Hz:	500 $\mu$ A	5 $\mu$ A	5 $\mu$ A
<b>Hipot rating (one minute):</b>			
line-to-ground	2250	2250	1550
line-to-line	1450	1450	1450
<b>Operating frequency:</b>			50/60 Hz
<b>Operating voltages:</b>			
6VJ1, 6J4, 6HJ4-4:	100, 120, 220, 240 VAC		
6J1-2, 6J4-2, 6HJ4-2:		115, 230 VAC	
<b>Rated current:</b>			6A
<b>Fuse (not included):</b>			Integral fuseholder, line side, accepts .25" x 1.25" fuse
<b>Terminals:</b>			Connector block terminals .045" square, suitable for soldering, wire wrapping, or crimp-on lugs

### Minimum insertion loss in dB:

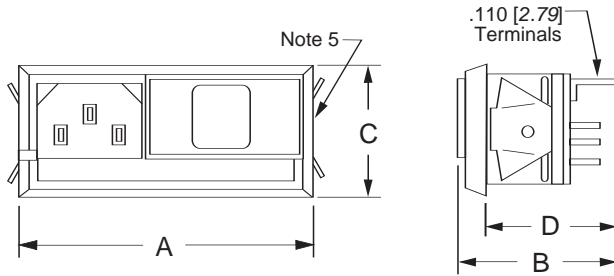
Line-to-ground in 50 ohm circuit

Current Rating	Frequency-MHz						
	.15	.5	1	5	10	20	30
<b>J4 Models</b>							
6A	9	20	25	41	45	45	48
<b>HJ4 Models</b>							
6A	9	11	15	19	13	12	10

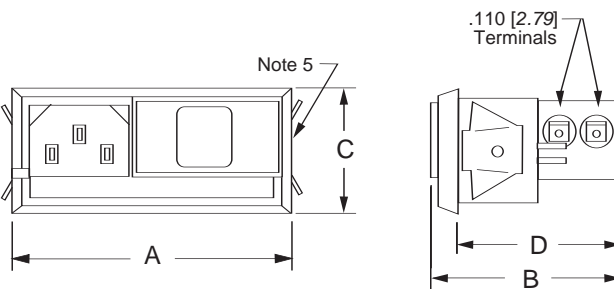
# J Series

## Case Styles

### Unfiltered Models



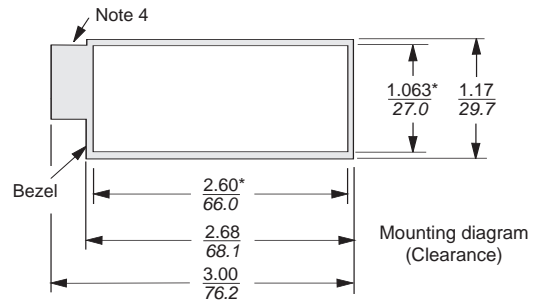
### Filtered Models



## Case Dimensions

Part No.	A (max)	B (max)	C (max)	D (max)
<b>Unfiltered</b>	<b>2.68</b>	<b>1.52</b>	<b>1.17</b>	<b>1.23</b>
6VJ1/6VJ1-2	68.1	38.6	29.7	31.2
<b>Filtered</b>	<b>2.75</b>	<b>1.87</b>	<b>1.17</b>	<b>1.58</b>
6J4/6J4-2	69.9	47.5	29.7	40.1
6HJ4-4/6HJ4-2	<b>2.75</b>	<b>1.87</b>	<b>1.17</b>	<b>1.58</b>
	69.9	47.5	29.7	40.1

## Recommended Panel Cutout Unfiltered and Filtered Models



\*±.003

Note 4: Fuse cover door shown in open condition.

Note 5: Standard units mount in panel thickness of .060 - .090"

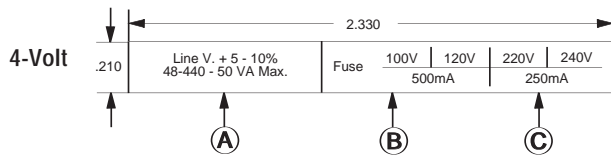
Special mounting clips sold separately for panel thickness of .105-.125".

See Accessories List on next page.

# J Series

## Equipment Rating Labels Unfiltered and Filtered Models

Self-adhesive labels, as shown below, are available in multiples of 40. Specify part number.



Part Number	A VA Max.	B Fuse 100/120 (115)	C Fuse 220/240 (230)
JA410	25	250 mA	125 mA
JA411	50	500 mA	250 mA
JA412	100	1A	500 mA
JA413	200	2A	1A
JA414	250	2.5A	1.25A
JA415	300	3A	1.5A
JA416	400	4 A	2A
JA417	500	5A	2.5A
JA418	600	6A	3A
JA419	Assortment		

Labels - 40 of one part number  
Labels - 5 each of 8 part numbers for 4-volt

## Accessories Unfiltered and Filtered Models

Line Cord No. GA400:  
(7 1/2 foot, 3-conductor line cord to mate with J series)

JA302, 2 Voltage Selector Card  
(comes standard with 6VJ1-2, 6J4-2, 6HJ4-2)

JA304, 4 Voltage Selector Card  
(comes standard with 6VJ1, 6J4, 6HJ4-4)

JA403, Mounting Clips for .105-.125" Panel

JA500, Voltage Selector Card Extractor Tool